

Distr.: General
18 May 2010

Original: English only

Commission on Science and Technology for Development
Thirteenth session
Geneva, 17–21 May 2010

**Enhanced cooperation on public policy issues
pertaining to the Internet**

Conference room paper prepared by the Division for Public Administration and
Development Management (DPADM) of the United Nations Department of
Economic and Social Affairs (DESA)

A. Background

1. The General Assembly, in its resolution 63/202, encouraged strengthened and continuing cooperation between and among stakeholders to ensure effective implementation of the outcomes of the World Summit, and encouraged United Nations entities, within their respective mandates, to contribute to the implementation of the outcomes of the Summit, and emphasized the need for resources in that regard. As a result, the Secretary-General was requested to submit to the Economic and Social Council at its substantive session of 2009, on the basis of his consultations with all relevant organizations, including international organizations, a report that might contain recommendations on how the process towards enhanced cooperation on public policy issues pertaining to the Internet should be pursued.
2. The consultation took place in two stages. On 12 March 2008, the Under-Secretary-General for Economic and Social Affairs invited ten organizations to provide an annual performance report on the steps they had undertaken towards enhanced cooperation on Internet-related public policy issues pertaining to the Internet. A summary of the responses has been incorporated into the report¹ of the Secretary-General on progress made in the implementation of and follow-up to the World Summit on the Information Society outcomes at the regional and international levels. On 23 December 2008, the Under-Secretary-General for Economic and Social Affairs wrote to the same group of ten institutions, with a further request for their recommendations on how the process towards enhanced cooperation should be pursued.
3. The ten institutions are:
 - a. Internet Corporation for Assigned Names and Numbers (ICANN)
 - b. International Telecommunication Union (ITU)
 - c. World Wide Web Consortium (W3C)
 - d. Council of Europe
 - e. Internet Society (ISOC)
 - f. Organization for Economic Cooperation and Development (OECD)
 - g. United Nations Educational, Scientific and Cultural Organization (UNESCO)
 - h. World Intellectual Property Organization (WIPO)
 - i. Number Resource Organization (NRO)
 - j. Internet Engineering Task Force (IETF) (One additional organization which submitted a contribution of its own accord.)
4. Of the 10 institutions that were requested to submit their recommendations, responses were received from Council of Europe, ICANN, Internet Society, ITU, OECD and W3C.
5. The Report² of the Secretary-General on enhanced cooperation in public policy issues related to the Internet was completed and submitted to ECOSOC at its 2009

¹ A/64/64-E/2009/10

² E/2009/92

substantive session last year as requested by General Assembly resolution 63/202. However, the Council decided to defer consideration of the item to its 2010 substantive session under the same agenda item 13 (b).

6. On 19 February 2010, the Department of Economic and Social Affairs through its Division for Public Administration and Development Management requested the same group of ten institutions to submit updates in preparation for the consideration of this report by the Commission on Science and Technology for Development (CSTD) for its thirteenth session on 17-21 May 2010. All ten institutions responded with a written reply.
7. The Annex contains the updates on enhanced cooperation from the group of ten institutions in response to the Secretariat's request on 19 February 2010.

B. Updates on enhanced cooperation

8. All organizations reported that they had made efforts to reach out to other stakeholders. Almost all organizations indicated that they had actively participated in the Internet Governance Forum, and most of them (including the Internet Corporation for Assigned Names and Numbers (ICANN), the Internet Society (ISOC), the International Telecommunication Union (ITU), the Organization for Economic Cooperation and Development (OECD) and the United Nations Educational, Scientific and Cultural Organization (UNESCO) were also represented in the Multi-stakeholder Advisory Group of the Forum. A number of organizations (including the Council of Europe, ISOC, ITU, OECD, UNESCO and the World Wide Web Consortium (W3C) participated in the creation of Dynamic Coalitions within the Forum.
9. The performance reports received from those institutions suggests that the call for enhanced cooperation stated in the Tunis Agenda had been taken seriously by respondents.
10. The forms of cooperation that have emerged range from information and experience-sharing, consensus-building and fund-raising to the transfer of technical knowledge and capacity-building. Some of these initiatives have resulted in global, regional and national cooperative arrangements among the ten institutions and other stakeholders.
11. Most institutions highlighted capacity-building event such as educational programmes, conferences and workshops. Several institutions indicated a continued focus on facilitating multi-stakeholder dialogue.

Annex

**Updates on enhanced cooperation in response to the Secretariat's request on 19
February 2010**



Addressing the global Internet

22 March 2010

Rod Beckstrom
CEO and President

Ms. Haiyan Qian
Director
Division of Public Administration and Development Management
UNDESA

Dear Ms. Haiyan Qian,

I refer to Ms. Doyle's email of 19 February 2010, requesting information regarding steps taken by ICANN towards enhanced cooperation on public policy issues pertaining to the Internet.

I am pleased to say that 2009 was an important year for ICANN in the context of enhanced cooperation. ICANN made real progress in several areas which are of genuine interest and particular importance to the full membership of the United Nations, and perhaps to developing countries in particular.

In terms of the overall governance of ICANN, chief among these achievements has been the negotiation of the Affirmation of Commitments (AOC) with the United States Department of Commerce: <http://www.icann.org/en/documents/affirmation-of-commitments-30sep09-en.htm>. The main impact of the AOC will be a transition from reliance upon a reporting mechanism, (the Joint Project Agreement or JPA), to a series of accountability mechanisms involving the full membership of ICANN's multi-stakeholder community, with an enhanced role for a reinvigorated Governmental Advisory Committee (GAC). This as a significant step in the direction of our longer term commitment to the further internationalization of ICANN. In this context, a joint working group of the ICANN Board and the GAC has been established to review how the GAC interrelates with the ICANN Board. This working group is jointly chaired by a GAC Vice Chair and a member of the ICANN Board, and plans to report to both parties at the ICANN meeting in Brussels this June 2010.

Within the ICANN process a major achievement of the past year has been the ICANN Board's approval of the launch of the IDN ccTLD Fast Track process at our October 2009 meeting in Seoul, South Korea: <http://www.icann.org/en/topics/idn/fast-track/>. This process is a truly significant step which will enable millions of Internet users to use scripts other than those which are Latin based to access top level domains. A truly liberating experience for millions of users and an excellent example of the effectiveness of ICANN's unique bottom up multi-stakeholder policy making process.



ICANN has also worked diligently to cooperate with the many sectors of the United Nations family where there is genuine advantage in cooperation. Agreements have been signed with both the Universal Postal Union, creating the new generic top level domain of "dot Post"

<http://www.icann.org/en/tlds/agreements/post/post-agreement-11dec09-en.htm> and with UNESCO, where we look forward to cooperating closely on a variety of linguistic and cultural questions where that body is uniquely qualified to advise.

<http://www.icann.org/en/announcements/announcement-2-11dec09-en.htm>

<http://www.icann.org/en/global-partnerships/mous/unesco-mou-10dec09-en.pdf>

Elsewhere in the UN system ICANN will continue to offer its expertise to the various specialist working groups and other meetings of the International Telecommunications Union (ITU). The ITU is a welcome contributor to the ICANN process and has observer status on the GAC and has regularly participates in these meetings. The ITU also has a Board seat on a rotating basis as a member of the Technical Liaison Group at ICANN. ICANN is working with ITU leadership to improve our relationship and stand ready to participate in other bodies where the memberships believe we have a contribution to make.

Finally I should mention that ICANN worked hard to make a significant contribution to the excellent meeting of the Internet Governance Forum hosted by the Egyptian Government at Sharm el-Sheikh in November 2009. We believe that the multi-stakeholder nature of the IGF enables the forum to make a unique contribution to Internet Governance. All sectors of society, including both Governments and Civil Society can make their views are known in a uniquely constructive way. We agree with the Chair of the Sharm el-Sheikh meeting, his Excellency Minister Tarek Kamel of Egypt when he concluded in his closing comments that "I could almost see a wide consensus on the need of the continuation of the IGF process with the legitimacy provided by the U.N. umbrella as well as the dynamic nature of the event which was very clear this time and needs to continue," and look forward to its mandate being renewed at the coming session of the UN General Assembly in September.

Yours Sincerely,

Rod Beckstrom

UPDATE ON ITU'S INPUT ON ENHANCED COOPERATION ON PUBLIC POLICY ISSUES PERTAINING TO THE INTERNET

This document is an update to the recommendations that were made by ITU in response to the United Nations Under-Secretary-General's request for recommendations on enhanced cooperation on public policy issues pertaining to the Internet.

ITU was the leading UN organizing agency for the World Summit on the Information Society (WSIS). The WSIS Outcome Documents further recognized ITU's expertise in the field of Internet Governance and (Paras 67, 72-79), Public Policy Development Process (Paras 68-71).

In addition, the ITU's Constitution calls upon the Union *to promote, at the international level, a broader approach to the issues of telecommunications in the global information economy and society* (Article 1g) and Resolution 140, of the 2006 ITU Plenipotentiary Conference made decisions for an active ITU role in the WSIS implementation process.

Within its mandate, ITU has been actively working with other organizations - inter-governmental and nongovernmental - within the spirit of *enhanced cooperation* as identified in Paragraph 71 of the Tunis Agenda for the Information Society (2005). Given below are some of the recent activities in this regard:

- ITU continues to play a lead facilitating role (along with UNESCO and UNDP) in coordinating the multi-stakeholder implementation of the *Geneva Plan of Action*, and within this framework, the WSIS Forum - organized by ITU, UNESCO, UNDP and UNCTAD - serves as unique forum for moderators/facilitators of Action Lines.
- ITU continues to facilitate WSIS Action Lines C2 (Information and communication infrastructure) and C5 (Building confidence and security in the use of ICTs); Upon UNDP's request, ITU accepted the role of the Facilitator of Action Line C6 (Enabling Environment).
- As the Chair, ITU is coordinating with Vice-Chairs (UNESCO, UNCTAD, UNDP and ECA) to ensure effective implementation of the UNGIS Work Programme for 2009-2010. UNGIS serves as an interagency mechanism to coordinate substantive policy issues facing the United Nations system's implementation of the Geneva Plan of Action and Tunis Agenda for the

- Information Society adopted by the World Summit on the Information Society, thereby contributing to improving policy coherence in the UN system, as requested by the 2005 World Summit.
- ITU is an active member of the *Partnership on Measuring ICT for Development* and together with UNCTAD and ECLAC, one of the three members of its Steering Committee.
 - ITU continues to maintain *WSIS Stocktaking database*, the primary publicly accessible database on WSIS outcomes, and in close collaboration with all WSIS Stakeholders, collects descriptions of their efforts related to the implementation of WSIS outcomes.
 - Within the framework of the UNGIS, ITU closely collaborates with the UN agencies in order to collect information on their efforts directed towards implementation of the WSIS outcomes to be reflected in the *WSIS Stocktaking database*.
 - New *WSIS Stocktaking Portal*, powered by ITU, aims at generation of the win-win multi-stakeholder partnerships and facilitation of cooperation between all WSIS Stakeholders, including private sectors and civil society.
 - ITU has coordinated its efforts. to promote cybersecurity, to combat cybercrime and to address cyber-threats, inter alia, in the following areas:
 - Combating Cybercrime: ITU and UNODC are working together on identity-related crime and identity management related issues.
 - Building Capacity: ITU, UNIDIR, UNITAR and UNICRI are working together to build capacity and raise awareness including action-oriented research on the challenges to cybersecurity and cyber-peace.
 - Child Online Protection: ITU, together with UNICEF, UNICRI, UNODC and other stakeholders, are working to promote child online safety.

Glossary

ECA: Economic Commission for Africa

ECLAC: Economic Commission for Latin America and the Caribbean

UNCTAD: United Nations Conference on Trade and Development.

UNDP: United Nations Development Programme

UNESCO: United Nations Educational, Scientific and Cultural Organization

UNGIS: United Nations Group on the Information Society

UNICEF: United Nations Children's Fund

UNIDIR: United Nations Institute for Disarmament Research

UNICRI: United Nations Interregional Crime and Justice Research Institute

UNITAR: United Nations Institute For Training and Research

UNODC: United Nations Office on Drugs and Crime

Enhancing Cooperation between UN and W3C

The United Nations Under-Secretary General has invited the staff of the [World Wide Web Consortium](#) (W3C) to suggest ways to **enhance cooperation on public policy issues pertaining to the Internet** between W3C and other official bodies. Through this report, W3C wishes to build shared understanding on the role that W3C and other standards development organizations (SDOs) play regarding some important Internet Governance issues facing society today. Learn more [about this report](#) below.

1. The Importance of Cooperation

Providers of core Internet standards and technology (e.g. ICANN, IETF/ISOC, W3C) face unique challenges in trying to build a global infrastructure that:

- is stable while also allowing innovation;
- is flexible enough to meet differing social needs around the world;
- is developed following a transparent process based on consensus.

The WSIS [Declaration of Principles](#) states that "*standardization is one of the essential building blocks of the Information Society.*" W3C is the organization that creates core Web standards, but it does not do so in a vacuum. It is a priority for W3C and other Internet standards organizations that have made the Internet possible to continue to engage in the debate about how the global communications infrastructure affects people, and how it can best evolve to continue to meet the needs of humanity.

Because multiple organizations develop different parts of the Internet architecture, coordination is an important part of ensuring the success of the system. W3C has a small staff, and much of its purpose is to coordinate activities within W3C, but also with other organizations.

Some of the staff's current efforts to promote cooperation include:

- promoting Open Standards by participating more actively in the IGF Dynamic Coalition on Open Standards, [DCOS](#).
- participating in the Dynamic Coalition on Accessibility and Disability, trying to improve synergy and coordination with our [WAI](#) project.

W3C continues to increase its [worldwide presence](#) to ensure that as many people as possible can participate in the creation of Web standards that meet their needs. W3C is already present on all continents, and is very excited by the involvement of even more participants and views from organizations and individuals not yet involved in the development of Web standards.

2. Highlights From 2009

This section highlights W3C activity around enhanced cooperation from 2009.

Internet Governance

During this period, W3C was more active than usual in Internet Governance:

- Several W3C staff attended the Internet Governance Forum (IGF) plenary in Egypt in Nov 2009.
- Tim Berners-Lee gave a keynote reinforcing the values of Open Standards.
- Tim Berners-Lee launched the [World Wide Web Foundation](#) (WF). W3C helped to create and announce plans for the Web Foundation in 2008.
- W3C staff were involved in Core Internet Values and Accessibility sessions throughout the week.

Digital Divide

Web Foundation is now moving full speed to address the Digital Divide, part of the Tunis agenda by starting Web for Society projects, to leverage the Web to empower people, especially in under-served populations.

W3C has opened a new office in West Africa, Senegal, and has made visits to several African countries to outreach to more Web expertise and ideas (Ghana, Kenya, Rwanda).

European Standards Harmonization

In Europe, W3C has been actively involved in the re-evaluation of the legal European standardization landscape in ICT. We, along with IETF and others Internet consortia. Part of this evaluation consists in checking the W3C processes against the [WTO/TBT guidelines](#) that de jure standards have to follow in order to remove international barriers to trade.

eGovernment

W3C continues to emphasize to policy-makers the importance of **One web**, available to all. The [W3C eGovernment activity](#) for instance is designed to create even more connections between policy makers and technologists, so the citizen, the end-users, is best served, through Open Linked Data.

Tim Berners-Lee was particularly active in 2009, in particular talking to government officials about Linked Public Data. He gave a [keynote](#) at the [IGF](#), another keynote at a [Science and Technology conference](#) at the [EC Parliament](#), [an EIF speech](#), etc.

ISOC / W3C Coordination

W3C and ISOC have begun to work more closely. As a result of this closer connection, W3C may become more active in providing technical arguments in defense of the Open Internet and Open standards.

W3C and ISOC staff have started joint meetings to talk about ISOC chapters and W3C offices commonalities and differences.

3. Relationship of Government to Development Organizations (SDOs)

W3C's expectations about cooperation derive from two principles:

1. Each professional community (technologists, governments, civil society, industry and so on) should focus on what it does best;
2. Cooperation among communities of expertise is the key to broad success and consensus.

Thus, engineering communities that gather at SDOs like W3C should continue define and develop technologies. Governments should define and enforce laws, and everybody need to understand the new technologies as they are developed. Engineers need to better understand social and ethical aspects of the new technologies being developed. All communities should keep in mind an overall mission of promoting the human right of access to information and freedom of expression and communication.

How Internet Standards are Produced

The technology infrastructure of the Internet and the World Wide Web is the result of several open collaboration processes. Each one fosters a multi-stakeholder environment, with participation from academia, industry, government (through funding orientation, not architecture orientation), advocacy groups (e.g., in the area of accessibility), and end-users (public review, quality, etc).

The IETF has been the principle body to standardize the Internet Layer (TCP/IP, DNS, and applications such as email), while the W3C has standardized the Web layer (HTML, CSS, XML, Web Services, WAI Guidelines, and more). The two organizations work closely on URI and HTTP standardization. Other organizations such as Unicode also make important contributions to the open Internet ecosystem.

The IETF and W3C are not “industry consortia” and, in fact, work in most ways like de jure standards bodies. IETF and W3C standards are available to the world at no cost. They followed design principles that promote interoperability, universality, and access irrespective of culture, language, or physical ability.

Role of Government

Governments should play an important role as sponsors and users of the Internet technologies, but not as network architects. Governments and civil society need to create environments that enable the development of open standards. Policy is a key piece of ensuring that the benefits of the Internet extend to all.

W3C staff believe that open standardization of Internet and Web technology of the important topics that the IGF should discuss. W3C encourages direct participation by any stake-holders in the setting of the technical and procedural agenda of organisations such as W3C. Inclusiveness improves the quality and usefulness of the results. People no longer have to watch what is happening from the outside. Participation in future Internet and Web developments has always be open to everyone in theory; it is important to make that a reality. This is the added-value provided by our virtual communities approach: we can overlap and mix part of the communities and operate even better.

The UN should encourage governments, its members, to allocate more resources in every topic at the appropriate level (be it Standards, Accessibility, Privacy, etc).

About this Report

This report was prepared by the W3C staff in March 2010. Previous reports from [2009](#) and [2008](#) are also available. W3C originally received an invitation to report in March 2008, renewed in December 2008.

Note: W3C has no official roles within the United Nations or any of its agencies.

About the World Wide Web Consortium (W3C)

The World Wide Web Consortium (W3C) is the leading international forum for the technical development and stewardship of the Web. The W3C community creates open standards that define how the Web works. These include standards for technology and best practices such as HTML, XML, CSS, VoiceXML, and WCAG. Created in 1994 by Tim Berners-Lee, inventor of the Web, W3C seeks to build One Web, whose benefits extend to all people, on any device, anywhere. W3C is an international consortium where Member organizations, a full-time staff, and the public work together to develop Web standards. W3C primarily pursues its mission through the creation of Web standards and guidelines designed to ensure long-term growth for the Web. Several hundred organizations are [Members](#) of the Consortium. W3C is jointly run by the [MIT Computer Science and Artificial Intelligence Laboratory](#) (MIT CSAIL) in the USA, the [European Research Consortium for Informatics and Mathematics](#) (ERCIM) headquartered in France and [Keio University](#) in Japan, and has additional [Offices worldwide](#). For more information see <http://www.w3.org/>

Daniel Dardailler, W3C

Last modified: \$Date: 2010/03/30 19:49:58 \$.

[Copyright](#) © 2008-2010 [W3C](#)[®] ([MIT](#), [ERCIM](#), [Keio](#)), All Rights Reserved. W3C [liability](#), [trademark](#), [document use](#) and [software licensing](#) rules apply. Your interactions with this site are in accordance with our [public](#) and [Member](#) privacy statements.



**REPORT ON STEPS TAKEN TOWARDS ENHANCED
COOPERATION ON PUBLIC POLICY ISSUES PERTAINING
TO THE INTERNET BY THE COUNCIL OF EUROPE**

**Media and information Society Division
Directorate General of Human Rights and Legal Affairs**

Strasbourg, 2010

I. Introduction

1. Given that Internet-related issues transcend territorial frontiers, a common understanding of the application in practice of human rights, democracy and rule of law standards to the information society is essential. The Council of Europe is therefore a firm believer in the importance for governments and other stakeholders to enhance their cooperation on public policy issues pertaining to the Internet. Through standard-setting and other activities, the Council of Europe seeks to act as a facilitator and active partner in such cooperation. This has resulted in a number of outputs aiming at reinforcing peoples' enjoyment of human rights and democratic freedoms and helping states and other stakeholders build a free and safe Internet.

2. The platform for cooperation provided by the Council of Europe brings together governments of 47 member states¹ and, in certain cases, governments of states not members of the Council of Europe who take part in discussions and who help to find solutions to Internet policy issues. The Council of Europe also facilitates the development of various forms of multi-stakeholder cooperation and partnerships between states, the private sector and civil society. A milestone in this respect is the Council of Europe's decision to provide ongoing secretariat support to the European Dialogue on Internet Governance (EuroDIG), which will hold its third annual event in Madrid, Spain, on 29-30 April 2010. Moreover, the Council of Europe is an active contributor to multi-stakeholder cooperation within other international fora where Internet policy issues are discussed, in particular the Internet Governance Forum (IGF) and the follow-up to the World Summit on the Information Society (WSIS).

3. The following report highlights some of these Council of Europe activities enhancing cooperation on public policy issues pertaining to the Internet. For further details reference is made to the Council of Europe's written submissions to the 2007, 2008 and 2009 editions of the IGF² and to the list of recent standard-setting instruments and other activities appended to this report.

II. Intergovernmental cooperation

4. By drafting treaties and other legal instruments that relate to the Internet, the Council of Europe is promoting enhanced cooperation among governments seeking to secure peoples' enjoyment of a maximum of rights and services, subject to a minimum of restrictions, while at the same time seeking to ensure the level of security that users are entitled to expect.

5. The intergovernmental cooperation taking place within the Council of Europe has led to the adoption of a number of treaties helping governments address Internet-related issues of

¹ The now 47 Council of Europe member states are Albania, Andorra, Armenia, Austria, Azerbaijan, Belgium, Bosnia and Herzegovina, Bulgaria, Croatia, Cyprus, Czech Republic, Denmark, Estonia, Finland, France, Georgia, Germany, Greece, Hungary, Iceland, Ireland, Italy, Latvia, Liechtenstein, Lithuania, Luxembourg, Malta, Moldova, Monaco, Montenegro, Netherlands, Norway, Poland, Portugal, Romania, Russian Federation, San Marino, Serbia, Slovakia, Slovenia, Spain, Sweden, Switzerland, "the former Yugoslav Republic of Macedonia", Turkey, Ukraine and the United Kingdom, representing 800 million individuals.

² See http://www.coe.int/t/information/society/coe/index_en.asp

common concern. Some of these treaties are open for signature by states that are not members of the Council of Europe and thereby contribute to furthering enhanced cooperation at the global level.

6. One notable example of such treaty-based enhanced cooperation with a global reach is the Council of Europe Budapest Convention on Cybercrime (2001) and its 2003 Additional Protocol on the criminalisation of racist and xenophobic acts committed through computer systems. The Cybercrime Convention requires the criminalisation by states of certain conducts such as computer-related fraud and action related to child pornography, and contains provisions dealing with the investigation and prosecution of cybercrime. The Convention helps governments to develop national legislation and also serves as a framework for efficient international cooperation to combat cybercrime. To date, the Convention has been ratified or acceded to by 29 states (including the United States) and signed by 17 states (including Canada, Japan and South Africa). Chile, Costa Rica, the Dominican Republic, Mexico and the Philippines have been invited to accede; others are considering accession. The global Project on Cybercrime of the Council of Europe supports countries worldwide in the implementation of this treaty.

7. Other important examples are the Convention on the Protection of Children against Sexual Exploitation and Sexual Abuse (opened for signature in October 2007) and the 1981 Convention for the Protection of Individuals with regard to Automatic Processing of Personal Data and its 2001 Additional Protocol regarding supervisory authorities and transborder flows.

8. The Convention on the Protection of Children against Sexual Exploitation and Sexual Abuse requires states to criminalise conduct such as knowingly accessing child pornography on the Internet and online solicitation of children for sexual purposes ("grooming"). The Convention also provides a framework for international cooperation in these areas.

9. The Convention for the Protection of Individuals with regard to Automatic Processing of Personal Data and its Additional Protocol contain minimum standards for personal data collection, an increasingly important issue on the Internet as the collection, recording and storage of data become ever more sophisticated. The Convention provides a model for governments when preparing new data protection laws as well as a sound basis for international cooperation between the parties. In this regard, it should be noted that a further additional protocol to the 1981 Convention is under consideration.

10. In addition to treaty-based cooperation, the Council of Europe facilitates cooperation among its member states in order to agree on common standards on public policy issues regarding the Internet. This form of cooperation has led to adoption of a large number of standard-setting instruments by the Council of Europe's decision-making body, the Committee of Ministers.

11. One example of this form of cooperation is the adoption in November 2007 by the Committee of Ministers of a Recommendation to member states to promote the public service value of the Internet, understood as people's significant reliance on the Internet as an essential tool for their everyday activities (communication, information, knowledge, commercial transactions). With this Recommendation, member states recognised that the Internet has become an essential tool in daily life, allowing people to enjoy their human rights and take part in public life and democratic processes, as well as encouraging expression, creativity and

the exchange of information and ideas. The text invites governments to cooperate further to define the roles and responsibilities of the main stakeholders – including the public and private sectors and civil society.

12. Other recent examples of governments cooperating within the Council of Europe to work out common approaches to public policy issues on the Internet concern the protection of children's dignity, security and privacy on the internet, the empowerment and protection of children on the Internet, standards for freedom of expression and Internet filters, electronic democracy, Internet access for people with disabilities³ and measures against counterfeit medicines on the web⁴.

13. Intergovernmental cooperation within the Council of Europe on Internet policy matters is expected to continue to gather pace in the coming years. Work is underway to promote cooperation between states on issues such as state sovereignty and shared responsibility for the Internet, technical cooperation against cybercrime including law enforcement responsibilities, protecting against sexual exploitation and sexual abuse of children, the human rights dimensions of 'network neutrality', and combating counterfeit medicines and the sale of medical products on the Internet. In these and other areas the Council of Europe will continue seeking to provide the framework and impetus for enhanced cooperation between governments in order to find common solutions to emerging public policy questions pertaining to the Internet.

III. Facilitator of dialogue and multi-stakeholder cooperation

14. In addition to its intergovernmental work, the Council of Europe seeks to act as a facilitator of enhanced cooperation by bringing together governments, private sector and civil society to engage in a multi-stakeholder dialogue on important Internet-related questions. To fulfil this role, the Council of Europe has organised Pan-European Fora allowing stakeholders to discuss current issues regarding protection of human rights in the information society.

15. In September 2007 the Council of Europe, in cooperation with the French Commission for UNESCO and UNESCO, organised a European conference on the ethical dimensions of the information society. This conference, a contribution to the implementation of the WSIS Geneva Plan of Action (action line C10), brought together a wide range of participants representing governments, private sector, academia and civil society. The conference resulted in a series of recommendations underlining the importance of promoting ethical behaviour and respecting human rights in cyberspace.

16. In the field of privacy and data protection, the Council of Europe cooperates and exchanges regularly with the OECD, in particular in their Working party on Information Security and Privacy for example with regard to data protection issues and the protection of children in on-line environments.

17. European actors interested in Internet governance issues will meet during the third edition of the European Dialogue on Internet Governance (EuroDIG), to be held in Madrid, Spain, on 29-30 April 2010, to discuss openly and freely their ideas, experiences and concerns in a fully multi-stakeholder format. A panoply of themes will be addressed with a particular

³ The Council of Europe Disability Action Plan (Recommendation Rec(2006)5): [http://wcd.coe.int/ViewDoc.jsp?Ref=Rec\(2006\)5&Language=lanEnglish](http://wcd.coe.int/ViewDoc.jsp?Ref=Rec(2006)5&Language=lanEnglish)

⁴ See http://www.coe.int/T/E/Social_Cohesion/soc-sp/RD_E_InternetLeaflet.pdf

emphasis on issues such as “cloud computing”, jurisdiction issues, the delivery of online content by the private sector, new top-level domain names, privacy, network neutrality, and the well-being of children and young people in online environments. With the commitment and support of the Council of Europe, the EuroDIG is organised and developed each year with careful attention paid to multi-stakeholder, gender and geographical balance in order to encourage interested parties to pool their expertise and contribute to the development and planning of workshops and plenary events⁵.

18. In recognition of the important role played by the private sector, the Council of Europe is increasingly working with industry mapping out roles and responsibilities for non-state actors on the Internet. This line of work has resulted in guidelines for cooperation against cybercrime between law enforcement and Internet services providers (ISPs), adopted by participants at the Octopus Conference held in Strasbourg on 1 and 2 April 2008. The Council of Europe is also cooperating closely with ISPs and online games providers, assisting those actors in promoting and respecting human rights in their respective sectors based upon two sets of human rights guidelines’ developed in close co-operation with the European Internet Service Providers Association (EuroISPA) and the Interactive Software Federation in Europe (ISFE).

IV. Contributor to dialogue and multi-stakeholder cooperation

19. The Council of Europe not only acts as a forum and a facilitator of enhanced cooperation but is also an active contributor to such cooperation taking place within other fora, in particular within the IGF.

20. The IGF is a significant source of inspiration for the Council of Europe in developing standards and fostering multi-stakeholder dialogue in intergovernmental and other settings. As a result, the Council of Europe invests considerable resources in contributing to the IGF, by submitting written contributions, taking active part in preparatory meetings and organising workshops, fora and events at the IGF meetings themselves.

21. At the 2007 IGF in Rio de Janeiro, Brazil, the Council of Europe organised or co-organised 15 different events covering a wide-ranging selection of topics such as the public service value of the Internet, regulation and quality of online content, cybercrime, protection of children and democratic participation. Similarly, during the 2009 IGF, held in Sharm-el-Sheikh, Egypt, from 15-18 November 2009, the Council of Europe contributed actively by organising, co-organising and participating in a number of workshops, forums and main sessions. The Council of Europe intends to take a similar approach in the next IGF, to be held in Vilnius on 14-17 September 2010.

V. Conclusion

23. The Council of Europe believes that it is important for all parties, governments and other stakeholders, to engage in enhanced cooperation on public policy issues pertaining to the Internet. Enhanced cooperation should lead to solutions for critical Internet issues of common concern based on the respect for human rights, democracy and the rule of law. The Council of Europe for its part will endeavour to provide a framework for lasting European-

⁵ For further information on the European Dialogue on Internet Governance, see <http://www.eurodig.org/>

wide dialogue on Internet-related issues and be an active contributor to cooperation in other fora.

Appendix

List of selected Council of Europe instruments and other activities on Internet-related issues

Conventions:

- Convention for the Protection of Individuals with regard to Automatic Processing of Personal Data, Strasbourg, 28/1-1981, [CETS No. 108](#)
 - Protocol to the Convention for the Protection of Individuals with regard to Automatic Processing of Personal Data, regarding supervisory authorities and transborder data flows, 8/11-2001, [CETS No. 181](#)
- Council of Europe Convention on Cybercrime, Budapest, 23/11-2001, [CETS No. 185](#)
 - Additional Protocol to the Convention on cybercrime, concerning the criminalisation of acts of a racist and xenophobic nature committed through computer systems, Strasbourg, 28/1-2003, [CETS No. 189](#)
- Council of Europe Convention on the Prevention of Terrorism, Warsaw, 16/5-2005, [CETS No. 196](#)
- Council of Europe Convention on Action against Trafficking in Human Beings, Warsaw, 16/5-2005, [CETS No. 197](#)
- Council of Europe Convention on the Protection of Children against Sexual Exploitation and Sexual Abuse, Lanzarote, 25/10-2007, [CETS No. 201](#)

Standard-setting instruments:

- [Declaration](#) of the Committee of Ministers on freedom of communication on the Internet, adopted on 28 May 2003
- [Recommendation Rec\(2004\)11](#) of the Committee of Ministers to member states on legal, operational and technical standards for e-voting
- [Recommendation Rec\(2004\)15](#) of the Committee of Ministers to member states on electronic governance (“e-governance”)
- [Declaration](#) of the Committee of Ministers on human rights and the rule of law in the Information Society, adopted on 13 May 2005
- [Recommendation Rec\(2006\)5](#) of the Committee of Ministers to member states on the Council of Europe Action Plan to promote the rights and full participation of people with disabilities in society: improving the quality of life of people with disabilities in Europe 2006-2015
- [Recommendation Rec\(2006\)12](#) of the Committee of Ministers to member states on empowering children in the new information and communications environment

- [Recommendation Rec\(2007\)3](#) of the Committee of Ministers to member states on the remit of public service media in the information society
- [Recommendation CM/Rec\(2007\)11](#) of the Committee of Ministers to member states on promoting freedom of expression and information in the new information and communications environment
- [Recommendation CM/Rec\(2007\)15](#) of the Committee of Ministers to member states on measures concerning media coverage of election campaigns
- [Recommendation CM/Rec\(2007\)16](#) of the Committee of Ministers to member states on measures to promote the public service value of the Internet
- [Declaration](#) on protecting the dignity, security and privacy of children on the internet, adopted on 20 February 2008
- [Recommendation CM/Rec\(2008\)6](#) of the Committee of Ministers to member states on measures to promote the respect for freedom of expression and information with regard to Internet filters
- [Recommendation CM/Rec\(2009\)1](#) of the Committee of Ministers to member states on electronic democracy
- Recommendation CM/Rec(2009)5 of the Committee of Ministers to member states on measures to protect children against harmful content and behaviour and to promote their active participation in the new information and communications environment

Tools:

- Core message of [user-oriented guidance](#) when buying medicines on the net
- [Guidelines](#) for cooperation between law enforcement and Internet Service Providers
- [Concept](#) for the training of judges and prosecutors in cybercrime and electronic evidence
- [Human rights guidelines](#) for Internet service providers, developed in close cooperation with the European Internet Service Providers Association (EuroISPA)
- [Human rights guidelines](#) for online games providers, developed in close cooperation with the Interactive Software Federation in Europe (ISFE)
- [Internet Literacy Handbook](#)
- Online game for children: “[Through the Wild Web Woods](#)”

Conferences and other events:

- Pan-European Forum: “[Internet with a human face – a common responsibility](#)”, Warsaw, 26-27 March 2004
- Pan-European Forum: “[Responsible behaviour by key actors](#)”, Strasbourg, 12-13 September 2005
- Pan-European Forum: “[Empowering children and young people](#)”, Yerevan, 5-6 October 2006
- European Conference: “[Ethics and human rights in the information society](#)”, Strasbourg, 13-14 September 2007
- Global Octopus Interface Conferences: “[Cooperation against Cybercrime](#)”, Strasbourg, 2007, 2008, 2009, 2010
- Forum for the Future of Democracy: “[E-democracy – Who dares ?](#)”, Madrid, 15-17 October 2008
- [European Dialogue on Internet Governance](#), editions 2010, 2009, and 2008

Contributions to the IGF:

- Written [submission to the 1st IGF](#), Athens, 30 October-2 November 2006
- Written [submission to the 2nd IGF](#), Rio de Janeiro, 12-15 November 2007
- Written [submission to the 3rd IGF](#), Hyderabad, 3-6 December 2008
- Written [submission to the 4th IGF](#), Sharm-el-Sheikh, 15-18 November 2009



The Internet is for Everyone

March 15, 2010

Ms Haiyan Qian
Director
Division for Public Administration and Development Management
UN Department of Economic and Social Affairs
c/o Ms Elvira T. Doyle
KMB/DPADM/DESA

via email: doylee@un.org

Dear Ms. Qian,

I am writing in response to your kind request of February 19, 2010, in which you reference the Internet Society (ISOC) submission of March 2008, responding to the Under Secretary-General of the United Nations Department of Economic and Social Affairs (UN-DESA), Mr. Sha Zukang's, request for a report on the steps taken by ISOC towards enhanced cooperation on public policy issues pertaining to the Internet. This letter is to provide information and examples in response. We will appreciate your including it in the paper you are preparing for the forthcoming thirteenth session of the Commission on Science and Technology for Development (CSTD). It is our hope to be able to participate in that meeting, as one of the non-governmental organizations accredited to the WSIS process, as we have been able to in the past, so that we can answer any questions that delegates may have at that time.

The following response does not repeat the introductory material we included in our 2008 report, but we draw your attention to those comments. Today, the Internet model of development remains as relevant to successfully achieving enhanced cooperation among all stakeholders as it was before and during the WSIS process. We believe that it is vital for governments, the private sector, civil society, the Internet technical community and intergovernmental organizations to continuously improve their cooperation, each in the area of their competence and mandate, if we are to achieve the ambitious goals agreed during the World Summit on the Information Society.

The Internet Society continues to develop. We now have more than 28,000 individual members and over 80 chapters around the world, and more than 100 organizational members¹. The Society also has five regional bureaus to better serve the Internet community around the world. In preparation for this report, ISOC consulted with our membership to ask for examples of work they are doing in cooperation with other stakeholders in their localities. Following is a non-exhaustive or exclusive compilation of concrete examples, to show the wide range of areas where our members are working to enhance their cooperation and their contribution to the development of Internet-related public policy solutions around the world. These examples should be read in conjunction with the information that was sent to you in 2008, and that is

¹ For a full portrait of membership, please see: <http://www.isoc.org/membership/>

continuously updated on the ISOC web site (listed in Annex to this report).

The ISOC Armenia Chapter has an agreement with the Ministry of Transportation and Communication to cooperate on Internet-related issues, to consult, and to collaborate in development of programs. The Chapter is recognized for its role in domain name delegation. And, along with government and the civil society, the Chapter is part of a special Working Group to combat issues such as spam and the challenge of illegal/inappropriate content on the Internet.

ISOC's New York Chapter has engaged in the multi-borough hearings of the City's Broadband Advisory Council, as well as in hearings on open data, webcasting policy, network neutrality, spectrum allocation, and policies to spur innovation in the technology sector. Deliberations on these important Internet-related public policy issues have all benefited from ISOC's participation. The New York Chapter also works with others to stimulate public understanding and participation in issues. Some examples include co-operation with NYU, to sponsor a series of presentations on 'Computers & Society' with leading thinkers such as Lawrence Lessig, John Perry Barlow, etc., and a new series planned for late 2010. All the New York chapter events can be viewed on line², and are available free as DVDs for educators, libraries, and other interested parties.

Many other ISOC Chapters receive Internet Society funding to engage in concrete examples of enhanced cooperation, through the Society's Community Grants Program³. Some of the many concrete examples of enhanced cooperation enabled by this program include:

In Peru, a project to boost the use and promote the benefits of the Internet in the three main cities involved. This project helps users become more sophisticated in their use of on-line tools, focusing on local communities, SMEs, local governments and civil society. It intends to generate local social networks, on-line communities and knowledge to stimulate the creation of local content, while educating about the Internet as an essential tool for improved communications in the different social sectors.

A capacity building programme in Internet and ICT policy for students from academic institutions in Central Africa has been on going in the Congo. The project is to inform and train students from universities and academic institutions in the central Africa region on Internet, the implications it has for development, the current debates handled at the international basis and governance principles resulting from the WSIS.

Finally, ISOC's regional bureaus regularly engage multiple stakeholders, especially Chapters and organizational members, in an ongoing program of regionally-focused meetings known as INET conferences. The INETs typically bring together high level speakers from civil society, industry, and regional governments to discuss issues of shared concern. By way of example, in 2009, the INET in Delhi⁴, India featured topics such as *South Asia "Internet for Development: Road Towards Inclusion & Growth"*; *Developing National Internet infrastructure for Inclusive Growth*; *The Role of Digital Content & Services in Internet Enabled Growth*; and *Internet Governance & Digital Divide: Strategies from Thought to Action towards a policy Roadmap*. The INET held in Kuala Lumpur⁵, Malaysia focused on IPv6 deployment in the region, featuring government representatives from Malaysia, Thailand, and China sharing experience with

² Please see <http://isoc-ny.org/webcasts>

³ Please refer to <http://www.isoc.org/isoc/chapters/projects/>, as well as <http://www.isoc.org/isoc/chapters/projects/awards.php> for a full listing of recent projects.


⁴ <http://www.isoc.org/isoc/conferences/inet/09/delhi.shtml>

⁵ <http://www.isoc.org/isoc/conferences/inet/09/kualalumpur.shtml>

industry representatives from across the Asia Pacific region. By bringing all stakeholders together in this way, ISOC believes it is contributing to enhanced cooperation in understanding and acting on important public policy issues related to Internet governance.

I trust these concrete examples of how ISOC Chapters, organizational members and regional bureaus are contributing to enhanced cooperation around the world will be of use to you in preparing the conference paper for the CSTD. I look forward to seeing the report when completed. Please be assured of ISOC's ongoing commitment to an enhanced level of cooperation with all interested and responsible stakeholders in the realm of Internet governance.

Sincerely yours,

A handwritten signature in black ink, appearing to read "Lynn St. Amour", followed by a horizontal line.

Lynn St. Amour
President and CEO
Internet Society

The Head of Division

DIRECTORATE FOR SCIENCE, TECHNOLOGY, AND INDUSTRY

Information, Communications and Consumer Policy Division

Paris, 18 March 2010

Dear Ms. Haiyan Qian,

Thank you for your email dated 15 March 2010. As you are aware, the OECD was not specifically part of the Tunis Agenda and the Tunis Commitment and therefore has no follow-up commitments. However, in a spirit of cooperation among international organisations, we are ready to provide information in respect to enhanced co-operation on public policy issues pertaining to the Internet. As you will understand this is a very large topic that touches on a great deal of work, at the OECD, across many areas of public policy.

The OECD is contributing to the **Partnership for Measuring the Information Society**, particularly as regard the assessment of the impact of ICT. As part of this engagement, the OECD co-organized the 2008 Global Event on Measuring the Information Society, 27-29 May, Geneva, and the WSIS Forum 2009, 18-22 May, Geneva.

In September 2009, the OECD co-organized a **workshop on “ICT for Development: Improving Policy Coherence”** with *infoDev*/the World Bank. The workshop investigated lessons learned for development and outstanding policy coherence issues in: *i*) access, as a precondition to the use of ICTs; *ii*) broadband Internet access and governments' role; *iii*) developments in mobile payments; *iv*) ICT security issues, particularly organized crime and the need to focus on prevention; *v*) ICTs and the environment, and *vi*) the relative priority of ICTs in education (www.oecd.org/ict/4d).

We would also like to highlight the outcomes of the 2008 **OECD Ministerial on the Future of the Internet Economy** (www.oecd.org/futureinternet) held in Seoul, Korea (17-18 June 2008). The main outcome of the Ministerial was the adoption of the **Seoul Declaration for the Future of the Internet Economy** by the 30 OECD Member countries as well as 9 non-members and the European Community (<http://www.oecd.org/dataoecd/49/28/40839436.pdf>). It outlines core values and the basic principles that will guide further development of the Internet Economy. The Declaration is supported by a committee report, **Shaping Policies for the Future of the Internet Economy**, which sets it in a policy context (<http://www.oecd.org/dataoecd/1/29/40821707.pdf>). Ministers welcomed and recognised the importance of this report based on contributions from five OECD Committees across different areas of public policy. The report covers 20 different issue areas critical to the development of the Internet Economy with specific guidance in nine areas including two new OECD Council Recommendations developed for the meeting. We also commend to your attention the **Chairman's Summary** which outlines the co-operation we received from all stakeholders together with details on participation at the meeting (<http://www.oecd.org/dataoecd/53/49/40989438.pdf>) and paved the way for the formal participation of non-governmental stakeholders in the work of the OECD Committee on information and communications policy.



The OECD has also been actively participating in the Internet Governance Forum (IGF) that was created during the WSIS process (more information is available at www.oecd.org/internetgovernance).

Yours sincerely,

Dimitri Ypsilanti

cc: Elvira Doyle

Ms. Haiyan Qian, Director,
Division for Public Administration and Development Management,
UNDESA

UNESCO Report on Enhanced Cooperation on Public Policy issues pertaining to the Internet

UNESCO sees the openness and inclusiveness of the enhanced cooperation process as important assets enabling information and experience sharing among the multiple Internet Governance actors. The organizations working on public policy issues related to Internet governance have often different constituencies and different policy development processes; therefore it is crucial to enhance the mutual understanding and relations among all stakeholders, and to foster their participation in all these various processes.

At UNESCO's last General Conference in October 2009, 193 Member States decided to strengthen UNESCO's involvement in the international debate on internet governance. UNESCO will continue to reinforce the cooperation with all actors concerned with the conviction that the multistakeholder approach is the most effective modality to address global Internet policy issues.

UNESCO has been contributing to the inclusive multistakeholder debate on Internet governance through its participation in all Internet Governance Fora (IGFs) and also in ICANN public meetings. In all these meetings, UNESCO has consistently promoted policies based on the principles of openness and diversity, encompassing universal access, freedom of expression, multilingualism, interoperability and measures to resist any attempt to censor content.

Contributions to Internet Governance Forum

UNESCO actively participated in all IGF open consultations, in the work of the Multistakeholder Advisory Group (MAG) and in all annual IGFs.

Most importantly, in 2009, UNESCO organized five workshops and round tables at the fourth annual IGF session held in Sharm El Sheikh, Egypt (15-18 November 2009) on:

- Privacy, literacy and social networking
- Promote freedom of information in the Internet governance
- A legal survey of Internet censorship and filtering
- Multilingualism in cyberspace
- UNESCO Open Forum

The events were organized in a multistakeholder bottom-up approach by inviting global key actors from different fields and constituencies to discuss diverse interests on a common topic.

UNESCO also contributed to the dynamic coalition initiative, which is one of the positive results of IGF:

- Freedom of Expression and Freedom of the Media on the Internet

During the Forum, UNESCO and the Talal Abu-Ghazaleh Organization (TAG-Org) officially launched their partnership. This new agreement is another practical step in UNESCO's efforts

to develop strategic partnerships with the private sector. The partnership principally focuses on fostering free, open, equitable and pluralistic knowledge societies in Arab countries. The agreement covers the evaluation of knowledge societies in the region, building ICT capacity, developing Arabic content in cyberspace and other ICT related issues.

Contribution to the Internet governing bodies

UNESCO participated in the 36th ICANN public meeting held in Seoul, Republic of Korea, in October 2009. Through the participation in the Governmental Advisory Committee (GAC), UNESCO advocated our inclusive and transparent process to enhance linguistic diversity in the Internet.

On 10 December 2009, UNESCO signed an agreement with ICANN to help put into operation the first multilingual domain names. This is a significant step towards greater linguistic diversity on the Internet. In the framework of this partnership, UNESCO can be called upon to provide linguistic expertise for the implementation of Country Code Internet domain names (ccIDN) in non-Latin scripts. UNESCO will continue to raise awareness of countries that use non-Latin script(s) of these processes and more generally of important internet governance processes related to its domains of expertise.

SUBMISSION OF THE WORLD INTELLECTUAL PROPERTY ORGANIZATION (WIPO)

I. SUMMARY

1. The Internet, the new information and communication technologies and the digital economy present both challenges and opportunities for the international community and the Intellectual Property (IP) system. The World Intellectual Property Organization (WIPO) is fully engaged in the process of adapting the international IP framework to the evolving needs of the Information Society. Using a multi stakeholder approach, WIPO addresses many issues related to the intersection between IP and the digital environment at the international level; among these are the technologies that enable management of IP rights on the Internet, the international framework for copyright limitations and exceptions, emerging tools for documentation and preservation of creative works, the legal and licensing framework of computer software, mechanisms to minimize online trademark abuse and promote brand and consumer protection, and the role of Internet intermediaries.

2. The commitment of WIPO to contribute to the development of an inclusive and development-oriented Information Society is reflected in past and future activities of the Organization. The progress reported in the implementation of the WIPO Development Agenda¹, which aims at ensuring that development considerations are mainstreamed in to the Organization's work, is an expression of this commitment.

II. ANALYTICAL OVERVIEW

3. IP protects the moral and economic interests of creators through a system of intangible property rights provided in national laws and international treaties. The traditional model of returning value to creators continues to evolve in light of the convergence of digital technology and the distributional power of the Internet. This may work to the disadvantage of the developing world, where creators and users do not have the same access to the Internet, bandwidth and alternate models of obtaining financial rewards as their counterparts in the developed world.

4. The Geneva Declaration of Principles and Plan of Action of the World Summit on the Information Society (WSIS) encourages the development of a global Information Society, by harnessing the potential of information and communication technologies (ICTs) to promote the Millennium Development Goals. The Geneva Declaration recognizes that “education, knowledge, information and communication are at the core of human progress, endeavor and well-being” (paragraph 8); and it further emphasizes the importance of removing barriers to equitable access to information; of ensuring a rich public domain; and of raising awareness of different software models to ensure affordable access to software (paragraphs 25 to 28). In

¹ For further information, see at <http://www.wipo.int/ip-development/en/agenda/>

addition, the Geneva Plan of Action outlines goals with direct correlation to IP legislation, including that “Governments should foster a supportive, transparent, pro-competitive and predictable policy, legal and regulatory framework, which provides the appropriate incentives to investment and community development in the Information Society” as well as the promotion of consumer protection for which Governments should “[e]ncourage the ongoing work in the area of effective dispute settlement systems, notably alternative dispute resolution (ADR), which can promote settlement of disputes.” (Enabling environment, Action Line C.6).

5. In the digital environment, technologies for documentation, preservation and registration of creative works are becoming essential tools for a secure, rich and user-friendly digital distribution of knowledge. There is a corresponding need for Governments and stakeholders to better understand the role of IP in regard to those technological developments. Moreover, the challenge is to meet the expectations of, and involve, a growing number and range of stakeholders in addressing these issues. The gap between technologically developed and other countries remains a significant challenge. There is a need to raise awareness in many countries of the opportunities provided by the IP system for using and benefiting from the digital environment and thereby, helping to bridge the “Digital Divide”. These concerns have been brought to the fore during discussions on the WIPO Development Agenda, which requires a proactive engagement with challenging issues at the intersection of IP and technology. For example, new activities can contribute to promote the understanding of problems related to public domain (e.g. orphan works, the use of rights management technologies, brand enforcement and related consumer protection, the role of search engines and intermediaries), including the tools needed to identify and access public domain material.

6. The IP system in the digital environment is further challenged by the role of new Internet intermediaries, including Internet service providers, portals, user-created content sites and search engines. The landscape has become fragmented as court decisions worldwide have taken diverging approaches to defining the circumstances under which such intermediaries may bear responsibility for infringing content. This scenario increases the need for balanced discussion of best practices and predictable solutions, including for ADR options at international level.

7. The evolution of Digital Rights Management (DRM) technologies also deserves mention. Access- and copy- control technologies have met with strong consumer resistance, particularly in the online delivery of music content. But the growing role of intermediaries, including search engines illustrates the importance of emerging technologies which enable users to locate and access content, including IP metadata identifying the creator and providing licensing information where appropriate. Interoperability of IP identifiers and metadata is important to ensure that content is accessible for multiple purposes, including to provide access to content by beneficiaries of copyright exceptions, and enable users to find and use content that is in the public domain.

8. Regarding indigenous peoples and the preservation of their heritage and their cultural legacy (paragraph 15), the appropriate protection of traditional knowledge (TK) and traditional cultural expressions (TCEs) would ensure that indigenous peoples and local communities who conserve and maintain these intellectual resources receive a fair share of economic benefits derived from their exploitation. Currently, TK and TCEs are in general not regarded as protected

intellectual property *per se*. They are by and large treated by the conventional IP system as “public domain” and may, therefore, be subject to various forms of misappropriation and misuse. The WIPO Intergovernmental Committee² is undertaking text-based negotiations with the objective of reaching agreement on a text of an international legal instrument which will ensure the effective protection of TK and TCEs. The protection of TK and TCEs would represent a significant normative shift in IP and duly recognize the universality and validity of the IP system. It would lead to a greater participation on the part of developing and least-developed countries in the benefits of innovation and the knowledge economy and ensure greater respect for diverse indigenous and traditional cultures.

III. DESCRIPTION OF PRESENT AND FUTURE WIPO ACTIVITIES RELATED TO THE IMPLEMENTATION OF THE WSIS OBJECTIVES

9. WIPO is engaged in working towards the WSIS objectives and the implementation of the Geneva Plan of Action, as described below.

Action Line C3 “Access to information and knowledge”

10. WIPO works to promote balanced IP protection, including ADR mechanisms as a means of rewarding creativity, stimulating innovation, promoting brand and consumer protection, and contributing to economic development and access to knowledge in the public interest. For instance, WIPO’s Standing Committee on Copyright and Related Rights (SCCR) monitors and reviews developments in international copyright law, and where appropriate develops new approaches to important issues raised by market and technology developments. An example is the current SCCR discussions on limitations and exceptions to copyright, and in particular the need for specific user groups, like visually-impaired persons (VIPs), libraries and archives, and educational institutions, to have access to digital content under reasonable conditions and in accessible formats. The SCCR has formally recognized the importance of addressing, without delay and with appropriate deliberation, the special needs of VIPs and other reading-disabled persons. As an immediate priority, WIPO is facilitating arrangements to promote access by VIPs to works protected by copyright. With the support of partner institutions, WIPO has created a dedicated website³ as a platform for expressions of support, exchange of views, and dissemination of information to all parties interested in the issue of access to information and cultural content by VIPs and other reading-disabled persons.

11. In recent years, WIPO organized several activities concerning the relationship between IP rights (IPRs) and digital technologies. WIPO has launched a series of seminars on software and IPRs, focusing not only on how software should be protected, but also on the many ways that software contributes to economic development. Following an initial regional seminar in Sri Lanka in May 2007, two seminars were organized in 2008, in Malaysia and Costa Rica respectively. It is worth noting that in the first semester of 2010 the *WIPO Africa Regional Seminar on Intellectual Property, Software, and E-Health: Trends, Issues, Prospects*, is

² WIPO Intergovernmental Committee on Intellectual Property and Genetic Resources, Traditional Knowledge and Folklore. See <http://www.wipo.int/tk/en/index.html>

³ For further information, see at <http://visionip.org/portal/en/index.html>

scheduled to be held in Kigali (Rwanda). The objectives of the Conference are on one hand to update on recent developments regarding IPRs and software; and on the other hand, to survey main IPRs issues in relation to E-Health.

12. WSIS Action Line C3 recommends the development of “policy guidelines for the development and the promotion of public domain information as an important international instrument promoting public access to information” (paragraph 10.a). A main priority for WIPO is to promote the role of IPRs in enhancing wider and more user-friendly distribution of content as a tool for reducing the “Digital Divide”. A good example of this priority is the WIPO Development Agenda.⁴ In October 2007, the WIPO General Assembly approved 45 recommendations aimed specifically at ensuring that development considerations form an integral part of WIPO’s work. The adoption of these recommendations marked the culmination of three years of negotiations among Member States. The 45 adopted recommendations are divided into six clusters, namely: A) Technical Assistance and Capacity Building; B) Norm-setting, Flexibilities, Public Policy and Public Domain; C) Technology Transfer, Information and Communication Technology (ICT) and Access to Knowledge; D) Assessments, Evaluation and Impact Studies; E) Institutional Matters Including Mandate and Governance; and F) Others. To carry out this work, the 2007 WIPO General Assembly established a new *Committee on Development and Intellectual Property* (CDIP), with a mandate to develop a work-program for implementation of the adopted recommendations; monitor, assess, discuss and report on the implementation of all recommendations adopted, in coordination with relevant WIPO bodies; and discuss IP and development related issues as agreed by the Committee, as well as those decided by the General Assembly. The CDIP discussed and approved activities to meet the Development Agenda goals in the field of copyright, including the following: activities to promote understanding of problems related to identification of public domain material (e.g. orphan works, use of rights management technologies, the role of search engines); a study on the public domain (Part I- comparative analysis of legislative approaches to defining public domain subject matter; Part II- a survey of tools for identifying and accessing public domain material); and activities on new approaches to copyright licensing (e.g. Creative Commons, Open-Source Software), including co-existence with more traditional commercial or proprietary licensing models. Discussions will continue during the fifth session of the CDIP, to take place in April 26 to 20, 2010.

Contributing to on-line access of technological information contained in patents in order to support science, technology and innovation:

13. Access to state of the art technological information contained in patent documents is a useful tool for innovation and research and development (R&D) processes, as access to previously published patents and patent applications helps to establish the novelty of a new invention, avoid infringement of others’ inventions, and improve the patent drafting process to improve the quality of a patent application. In view of the growing information needs of national industries, R&D community and the business sector of developing countries, the WIPO Global IP Information Services Program provides infrastructure and supporting services to IP Offices and users to take advantage of the information resources generated by IP systems worldwide for

⁴ The recommendations can be found at http://www.wipo.int/edocs/mdocs/mdocs/en/cdip_1/cdip_1_3.doc

supporting science, R&D and innovation, and operates the WIPO Patent Information Services (WPIS)⁵ in order to assist Member States in establishing their national industrial property information system.

14. In 2008 and 2009 cooperation agreements were concluded and projects were started with several Member States and regional intellectual property organizations for the purposes of digitization and dissemination of their national and regional patent data. Also training seminars and workshops on PATENTSCOPE®⁶ search service and on patent information were conducted at several national offices and seminars were held at international conferences. Finally, in 2009 two main initiatives in the area of patent information were launched: the Access to Research for Development and Innovation (aRDⁱ)⁷ program and the Technology and Innovation Support Centres (TISCs).

15. The aRDⁱ program is coordinated by WIPO together with its partners in the publishing industry with the aim to increase the availability of scientific and technical publications and information in developing countries in line with the objectives of WIPO's Development Agenda. By improving access to scholarly literature from diverse fields of science and technology (S&T), the aRDⁱ program seeks to reinforce the capacity of developing countries to participate in the knowledge economy, and support researchers in developing countries in creating and developing new solutions to technical challenges faced on a local and global level. Currently, through the aRDⁱ program, 12 publishers provide access to over 50 journals for 107 developing countries.

16. TISCs are intended to provide the local research and business community with expert assistance in finding technological information. They should provide resources such as online access to patent databases and to scientific and technical journals, as well as assistance in searching these vast and complex collections of tens of millions of documents. Assisting IP offices in developing countries and LDCs to establish TISCs is a new WIPO program building upon the successful experience of similar centers in developed countries. The role of the TISCs will be to act as a central point of expertise for patent and technology information in the relevant country. The TISCs will be supported by WIPO through training programs, seminars, and access to the databases as described above.

Enhancing on-line access to information concerning IP laws, regulations and treaties:

17. The WIPO Collection of Laws for Electronic Access (CLEA),⁸ a database that provides access to IP legislation from a wide range of countries and regions as well as to treaties on IP, is undergoing a major updating of its content and enhancement of its on-line search facility. The CLEA is also a repository of IP laws and regulations notified by contracting parties of the World Trade Organization (WTO) under the Agreement on Trade-Related Aspects of Intellectual Property Rights (TRIPS). WIPO continues to work closely with the Secretariat of the TRIPS

⁵ For further information, see at http://www.wipo.int/patentscope/en/data/developing_countries.html

⁶ For Further information see at <http://www.wipo.int/pctdb/en/>

⁷ For further information, see at <http://www.wipo.int/ardi/en/>

⁸ For further information see at <http://www.wipo.int/clea/en/>

Council to strengthen mechanisms that will facilitate prompt compliance by Governments with their obligations to notify IP legislation.

Action Line C4 “Capacity Building”

18. WIPO is working to enhance the availability and access to IP related capacity-building contents and programs available on the Internet. Demand for Distance Learning Courses in the area of intellectual property continued to increase in 2008. Five new advanced courses were launched on-line in 2008: Patents (DL301); Trademarks, Industrial Designs and Geographical Indications (DL302); Arbitration and Mediation Procedure under the WIPO Rules (DL317); Patent Information Search (DL318), and Basics of Patent Drafting (DL320). These new courses provide participants with more systematic, in-depth knowledge and practical skills in the fields of patents, trademarks, industrial designs, geographical indications and arbitration and mediation. On-line courses registered 27,000 students in 2008, compared to 25,500 in 2007.

Action Line C5 “Building confidence and security in the use of ICTs”

19. One of the main objectives of the WIPO Arbitration and Mediation Center is to enhance the legal framework for the protection of IP in the Domain Name System (DNS). A prominent example of this is the Uniform Domain Name Dispute Resolution Policy (UDRP) based on a report from the WIPO Secretariat. The Center strives to provide leadership in the development of dispute prevention and resolution solutions to tensions arising from the intersection of trademarks on the Internet and DNS with IP, including trademarks and related identifiers. Using its day-to-day experience with over 32,000 domain name-related disputes (including some 17,000 UDRP-related proceedings) covering 10 years of UDRP and DNS stewardship, the Center continues to liaise with DNS stakeholders, including IP right holders, the “Internet Corporation for Assigned Names and Numbers” (ICANN), and seeks to create and implement dispute policies for such domains.⁹ This concerns in particular mechanisms for the protection of trademark rights at the top and second (and lower) levels in the introduction and operation of existing and especially further possible new gTLDs. In addition, since the launch of a Program in 2000, the Center continues to liaise with the administrators of country-code Top-Level Domains (ccTLDs) in different regions, and create and implement dispute resolution policies for such domains, thus expanding the role for WIPO Center case administration in such domains.

20. The WIPO Center also provides arbitration, mediation, and expert determination case administration services *inter alia* to facilitate appropriate IP protection including in cases of technology transfer. Roughly one-half of the cases under the WIPO Arbitration, Mediation, and Expedited Arbitration Rules concern conflicts relating to patents, *e.g.*, relating to licensing disputes. Roughly one-quarter of cases under the WIPO Rules concern IT and copyright. Parties use these WIPO services on a consensual basis as normally agreed through contract clauses between them. In addition to these cases under the standard WIPO Rules, the WIPO Center works with IP owners, users, and representative organizations to provide tailored ADR procedures specifically adapted to the particular features of disputes in their area of activity. As another example of the WIPO Center’s ADR activities, in light of the marked rise in interest in ADR in the IT and telecom sectors, in October 2009 the WIPO Center, together with the

⁹ For further information, see wipo.int/amc/en/domains/ and wipo.int/amc/en/domains/newgtld/.

International Telecommunications Union (ITU), organized a Symposium in Geneva, Switzerland to address industry trends, evaluate the kinds of disputes that are arising, and assess the various options available for resolving them.¹⁰

Action Line C7 “ICT applications: benefits in all aspects of life” paragraph 15: E-Government”

WIPO’s support regarding IP registration related issues and e-government services.

21. In order to enhance the efficiency of IP registration related activities and improve e-services provided by IP institutions (e.g. national IP offices) to their stakeholders, WIPO carried out the following in 2008:

- a) In the field of the IP International Registration activities, a new online facility for electronic payments regarding the international trademark and design registrations and modifications has been made available. Payments can now be made by either credit card or current account transfer, and internal processing has therefore become almost entirely automatic.
- b) WIPO provided modernization services to IP institutions¹¹ from 45 countries, across all regions, of which 16 were LDCs, 25 were developing countries and four were countries in economic transition. In addition, two regional IP institutions in Africa, namely ARIPO and OAPI, were assisted in their modernization projects. The Program’s work also included three regional workshops focusing on key automation topics, training and sharing of national experiences and best practices. Countries assisted included both new ones where modernization projects were initiated as well as those where modernization projects were already in progress but in different stages of implementation. In order to meet the expected results and to address the challenges faced in assisting IP institutions with diverse levels of development, infrastructure, skills and resources the Program’s assistance covered a comprehensive set of modernization services. These included: technical advice and guidance; needs assessment; simplification of business processes; provision of standard automation components customized to specific national requirements; establishment of national IP databases; extensive training of IP institutions staff and knowledge transfer to their technical focal points; progress monitoring and post-deployment impact evaluations; and e-communication with WIPO Treaties. Training related activities accounted for 50% of the Program’s work and were critical in achieving the desired results. For example, an external evaluation was undertaken of the automation assistance provided by the Program to the Kenya IP Institute. The report stated that automation had made a significant positive impact and brought several benefits to the institution including: administration efficiency; reduction in backlog due to faster processing of IP applications; enhanced integrity of searches; savings in cost and time for

¹⁰ For further information, see wipo.int/amc/en/events/workshops/2009/itu/index.html.

¹¹ IP institutions include IP offices and collective management societies (CMOs).

publication of official gazettes and notices; and access to databases. The report also identified challenges and made recommendations for further improvements.

Action Line C8. “Cultural Diversity and identity, linguistic diversity and local content”

22. In 2008, WIPO approached another crucial issue at the intersection of digital technologies and copyright, holding an *International Workshop on Digital Preservation*.¹² In the digital economy, information and creative materials are increasingly created in digital form and analog materials are being transferred to digital formats. Unlike analog materials, digital works do not “self preserve” if stored in a stable environment. As digital works tend to degrade quickly and without warning, their preservation requires that multiple copies of a work are made, in different formats and in different storage locations, over the course of its “lifetime”. Digital preservation can, therefore, raise a number of copyright issues, and the workshop aimed at contributing to the debate among stakeholders and policy makers on how to develop and improve policies and practices that support digital preservation of copyrighted content.

23. The *International Conference on Intellectual Property and Cultural Heritage in the Digital World*,¹³ jointly organized in 2009 by WIPO and the Ministry of Culture of Spain, covered a number of topics on the nexus between IP and cultural heritage institutions (CHIs), such as museums, libraries and archives, and on their role in the dissemination and promotion of culture in the digital environment. The Conference focused on the dual role of CHIs as users/licenseses of IP, on the one hand, and as creators/owners/managers of IP, on the other. CHIs are users of IP either directly or as facilitators of use by the public in areas such as digital preservation and access and use under limitations and exceptions in the digital environment. Whereas museums were once concerned with using IP owned by others, they are now also faced with the responsibility of managing their own IP as right owners, (for example, of their collections and related digital contents) and mediating between users and original right owners. The speakers outlined the crucial roles played by IPRs in this context. On one hand, IPRs can provide the legal basis for building safe and robust tools for preservation of national cultural heritage. On the other hand, IPRs are instrumental for delivering new services and capitalizing on emerging business models in the cultural heritage sector. In addition, the event provided the opportunity to present the *WIPO Guide on Managing Intellectual Property for Museums*.¹⁴ The first part of the Guide describes IP issues of relevance to museums such as rights in scholarly content, technologies developed in-house, and branding tools. It also sets out recommended best practices in managing IP to enable a museum to identify its IP, understand its rights in using its collections, and strengthen its ability to deal with critical IP issues as they arise. The second part of the Guide reviews existing business models that could provide museums with appropriate opportunities to create sustainable funding, and deliver on their stated objectives.

24. Regarding indigenous peoples, WIPO will also shortly publish a guide for museums, libraries and archives on managing IP issues in relation to collections of indigenous cultural expressions, such as traditional art, music and designs.¹⁵

¹² The presentations of the workshop can be found at http://www.wipo.int/meetings/en/2008/cr_wk_ge/

¹³ http://www.wipo.int/meetings/en/details.jsp?meeting_id=19502

¹⁴ http://www.wipo.int/copyright/en/museums_ip/

¹⁵ <http://www.wipo.int/tk/en/folklore/culturalheritage/museums-archives.html>

ICTs as tools to support the IP management of intangible cultural heritage and traditional cultural expressions (TCE):

25. New technologies provide indigenous communities with fresh opportunities to document and digitize expressions of their traditional cultures, meeting the strong desire of communities to preserve, promote and pass on their cultural heritage to succeeding generations. Yet, these new forms of documentation and digitization can leave this cultural heritage vulnerable to unwanted exploitation. WIPO offers a hands-on training program to communities on cultural documentation, archiving and IP management. The course was piloted, with great success, within the Maasai community of Laikipia, Kenya in 2008 and 2009. Two members of the community were trained in the United States of America and at WIPO headquarters in Geneva, and WIPO purchased a kit of IT equipment for the community so it can undertake its own cultural documentation. This pilot program, part of WIPO's Creative Heritage Project, recognizes both the utility of technology for indigenous communities and the paramount need to empower communities to make informed decisions about how to manage IP issues in a way that corresponds with community values and development goals.¹⁶ The program will be offered again in 2010.

[End of document]

¹⁶ <http://www.wipo.int/tk/en/folklore/culturalheritage/wipo-afc-cds.html>

Update to the Commission on Science and Technology for Development (CSTD) on Enhanced Cooperation Activities Undertaken By the Number Resource Organization (NRO)

12 April 2010

The five Regional Internet Registries, cooperatively through the Number Resources Organization (NRO) and independently within their geographic service region, continue their work to engage governments through education and information sharing with the goal of promoting enhanced cooperation on public policy issues pertaining to the Internet.

A strong theme of many recent NRO efforts has been the global need to deploy the new version of IP addresses, IPv6, to guarantee that the rapidly expanding range of networked devices can connect to the Internet. As mobile Internet and broadband become more widespread in developing regions, there is an urgent need to ensure that IPv6-compatible networks and devices are available. This is the only way that developing countries can continue to compete on a global stage.

Here are a few examples of multinational forums in which recent NRO participation has contributed to vital information sharing with regard to critical Internet resources.

Internet Governance Forum

The NRO has participated in the World Summit on the Information Society (WSIS) and Internet Governance Forum (IGF) processes since their inception. The NRO is a permanent financial contributor to the IGF Secretariat.

In 2009, the NRO representatives have been involved again in all sessions on Critical Internet Resources, engaging with participants and answering a wide range of questions regarding the distribution and management of Internet number resources. The NRO has been very active in the organization of workshops on topics such as Internet number resources management, adoption of IPv6 around the world, Internet Interconnection, Promoting access, as well as actively contributing to many of the other workshops held as part of the IGF events.

The NRO has also made a formal submission to the discussion on the continuation of the IGF process, noting its strong support for the existing IGF model, while suggesting the increased use of remote participation tools to facilitate greater involvement of stakeholders from the developing world.

International Telecommunications Union (ITU)

The RIRs continue to provide essential expert guidance to the ITU as it examines Internet addressing issues relevant to its Member States. In March 2010 the Number Resource Organization's contribution to the ITU-T IPv6 Study Group informed stakeholders of the current state of global IPv6 deployment. A vast amount of IPv6 address space is already distributed to networks around the world. IPv6 adoption is gaining significant momentum, with key service and content suppliers deploying IPv6 capabilities on their infrastructure and numerous governments, through partnerships with the private and civil sectors, are actively engaged in activities designed to ensure their citizens have Internet access via the new protocol. As IPv6 adoption accelerates over the coming months and years, it is vital that stakeholders in

the Internet are aware of the issues surrounding IPv6. Through information sharing and cooperation, we will ensure that no one is disadvantaged or left behind by this evolution of the network.

The Organisation for Economic Cooperation and Development (OECD)

The NRO has worked closely with the OECD Committee for Information, Computer and Communication Policy (ICCP) since 2007, and played a key role in the formation and development of the Internet Technical Advisory Committee (ITAC), which was formally recognized at the ICCP meeting in Paris on 15 January 2009.

At the Working Party on Communication and Infrastructures and Services Policy (CISP) Meeting, held in June 2009, the NRO submitted the document "Measuring IPv6 Deployment", which contained data about worldwide IPv4 and IPv6 deployments and was very well received by the delegates.

NRO representatives participated in the following OECD meetings in 2009:

- Working Party on Communication and Infrastructures and Services Policy (CISP) Meeting, held on 15-16 June and 14-15 December 2009
- Working Party on Information Security and Privacy (WPISP), held on 12-13 October 2009
- Committee for Information, Computer and Communications Policy (ICCP), held from 15 - 16 October 2009

Asia-Pacific Economic Cooperation (APEC)

To assist APEC members with issues on the transition to IPv6, RIRs are participating in the APEC Telecommunications and Information Working Group (APEC TEL). In September 2009, the RIRs supported the organization of an IPv6 workshop at the APEC TeL 40 meeting in Mexico. In 2010, the RIRs will again work with them to prepare another IPv6 workshop at the APEC TEL 41 in Taipei, May 2010.

Inter-American Telecommunication Commission (CITEL)

The RIRs continue to play an active role in CITEL's efforts related to the global information Society. The RIRs have held numerous training sessions in the Americas region, covering various topics ranging from IPv6 to CERTs.

In collaboration with CITEL, the RIRs from the Americas region have lectured on a number of on-line courses on topics requested from CITEL with a significant number of attendees, especially from governments. This is an important component of the activities that the RIRs of the Americas have performed. To date, over 5000 people have received hands-on IPv6 training in workshops and seminars.

The RIRs participated in the quadrennial CITEL Assembly meeting in Mexico City in March 2010. One of the significant outputs of the Assembly was a Resolution recognizing the willingness of the RIRs, in particular those in the region of the Americas, to collaborate in understanding and developing the Internet in the region and that regional coordination for the administration of IP addresses has proven to be efficient and has made a significant contribution to improving conditions of fairness in the allocation of IP addresses.

As well as participating in multinational forums, each of the RIRs works to engage with governments in their respective regions and address the specific questions and needs of those governments. Activities such as RIR-organized government roundtables and dedicated working groups provide government representatives and regulators with vital insights, as well as the exchange of knowledge and views on

the issues surrounding internet number resources. The table below highlights some of these regional activities.

Further discussion of the NRO's enhanced cooperation activities are contained in the brochure ***Continuing Cooperation: The NRO and Internet Governance***. This can be downloaded at:

<http://www.nro.net/documents/nro-continuing-cooperation-brochure.pdf>

Looking forward, as IPv6 adoption accelerates over the coming months and years, it is vital that all stakeholders in the Internet are aware of the issues surrounding IPv6. Through information sharing and cooperation, we will ensure that no one is disadvantaged or left behind by this evolution of the network.

Questions or requests for additional information about the work of the NRO or RIRs may be directed to nro@nro.net.

Table I – NRO/RIR Regional Activities

AfriNIC:

In October 2009, AfriNIC organized the 2nd Annual West African Internet Governance Forum in cooperation with ISOC, ICANN, OSIWA, PANOS, Ghana Ministry of Communications and Ghana-MTN, held in Accra, Ghana.

In September 2009, AfriNIC sponsored and participated in the East African Internet Governance Forum that was held Nairobi, Kenya.

In November 2009, in recognition of the invaluable potential of Research and Education Institutions in the African region and to further Internet development processes, the Association of African Universities (AAU) and the African Network Information Centre (AfriNIC), signed a Memorandum of Understanding (MoU) to support the membership cost of registration for Internet Protocol (IP) resources through AfriNIC; signed in Dakar, Senegal.

In January 2010, the AfriNIC Government Working Group (AfGWG) Law Enforcement Event was held in Cyber City, Mauritius brought together representatives from the Federal Bureau of Investigations (FBI), RIPE NCC, ARIN, ICANN, the European Convention on Cyber Crime and governments and regulatory authorities in the African region.

APNIC:

The Asia Pacific Network Information Centre has an ongoing program of activities in its region which are designed to build collaborative relationships with regional governments and organizations to facilitate the flow of information and knowledge.

APNIC supports and participates in the Annual General Meetings of Pacific Islands Telecommunications Association (PITA). This non-profit organization represents the interests of small Pacific island nations. At the April 2009 meeting APNIC conducted training, workshops, and presentations while also sponsoring the event. APNIC is also working with PITA to provide activities at the April 2010 PITA AGM.

Throughout 2009, APNIC conducted an ongoing series of Government Roundtables to discuss IPv6 transition planning and how governments can promote deployment by adopting pro-active procurement guidelines and by working in partnership with the private sector. Roundtables were held in Hong Kong (SAR), Indonesia Malaysia, Philippines and Singapore. More Roundtables are being held in 2010.

APNIC is also collaborating with a number of other Asia Pacific organisations to hold the first Asia Pacific regional Internet Governance Forum (APriGF), hosted by the Hong Kong Government, to complement and feed regional views into the Internet Governance Forum (IGF). APriGF will be held in June 2010.

ARIN:

The American Registry for Internet Numbers has been actively engaged in supporting the ICT Roadshow in the Caribbean during the year of 2009 and 2010. The Caribbean Telecommunications Union (CTU) has established the ICT Roadshow to take the form of a series of country visits across the Caribbean, designed to foster a spirit of innovation in the development of ICT-based practical solutions and to raise awareness and encourage harmonization of efforts in the adoption of ICT solutions. These Roadshow

events attract Caribbean governments, organizations, institutions and individuals. ARIN participated in these events in 2009 and has planned participation at six Caribbean ICT Roadshow events for 2010.

LACNIC:

The Second Latin American and Caribbean Preparatory Meeting for the IGF was jointly organized by LACNIC, APC and RITS/NUPEF, it was held in Rio de Janeiro, Brazil, August 2009. It convened more than 120 people representing all the stakeholders of the regional Internet community. The meeting was focused on the topics surrounding the Internet Governance Forum, identifying the characteristics and regional challenges for each of these issues.

eLAC2010-ECLAC-UN: Strategy for the Information Society in Latin America and the Caribbean, a regional plan where LACNIC has been involved since its beginning, cooperating with the governments of the Latin America and Caribbean region in the coordination of the digital agenda and actions towards the accomplishment of the plan's goals. LACNIC has collaborated with many inputs to the debates in eLAC meetings specially focused on the access and infrastructure areas, such as the IPv6 deployment, fostering the regional governmental commitment to this goal.

Caribbean region and joint activities with CTU (Caribbean Telecommunications Union).

In 2009 LACNIC has cooperated with CTU to organize the ICT Roadshow within the Caribbean region. In October 2009, LACNIC with the collaboration of the Belize Telecommunications Regulatory Body, PUC, offered an IPv6 and management of Internet resources training in the framework of the Belize ICT Roadshow.

Cybersecurity. During 2009 LACNIC has launched the AMPARO Project, with the support of IDRC, to promote the dissemination and training in the methodology of Computer Security Incident Response Teams (CSIRT) along LACNIC service area. For that purpose, original public contents were developed for the training of experts. Two workshops were held in Montevideo (February) and in Quito (March) and at least three more are planned this year and 5 research projects are being funded.

The Latin American and Caribbean Governments Working Group was created during 2009. The group counts with the participation of government officials from 21 countries of the LAC region, representing the telecommunications regulatory bodies, communications and foreign affairs ministries. The group agreed to work jointly with LACNIC in the IPv6 promotion and adoption and it is a space for governments to exchange experiences and advances in the framework of Internet development at national and regional level.

RIPE NCC:

As the Regional Internet Registry for Europe, the Middle East and parts of Central Asia, the RIPE NCC continued to increase its enhanced cooperation activities in 2009, engaging Governments and Law Enforcement Agencies (LEAs) through a variety of events around the region. Some notable events include:

RIPE NCC Roundtable Meeting: The RIPE NCC now holds at least two Roundtable Meetings each year to inform and engage with representatives from the public sector. Recent events have focused on issues such as IPv6 adoption and the evolution of Internet governance mechanisms, and have attracted approximately 40 participants from 18 countries.

RIPE NCC Law Enforcement Meetings: Starting in 2009, the RIPE NCC has been hosting dedicated one-day meetings for representatives from Law Enforcement to address the specific needs and concerns of that sector. In March 2010, the RIPE NCC organized an event in parallel with the E-Crime Congress in London, attracting more than 120 participants from around the world.

MENOG: The RIPE NCC has worked closely with other partners to establish the Middle East Network Operators Group (MENOG). Through its association with MENOG, the RIPE NCC has held IPv6 workshops in three Middle East locations to date, helping the local Internet community to begin the deployment of IPv6 on networks in the region. MENOG has also been an opportunity to engage governments in the region and inform them of relevant issues, especially pertaining to IPv6 adoption.

European Union and European Commission: As well as actively engaging with the EC Directorates-General of Justice and Home Affairs and Information Society and Media, the RIPE NCC worked closely with the EC in 2009 on the EU IPv6 Deployment Monitoring Survey. This online survey of network operators in the RIPE NCC service region attracted more than 600 responses, and provided valuable insights into the attitudes to IPv6 adoption in the European Internet community. A similar survey has already been carried out in the Asia Pacific region, and there are plans to repeat the EC survey in 2010.

Dear Ms. Haiyan QIAN:

At the request of the Internet Society (ISOC), and on behalf of the Internet Architecture Board (IAB) and the Internet Engineering Task Force (IETF), I am pleased to provide updated information on the role of the IETF in Internet development, deployment, and governance. This information is furnished in response to your February 2010 request in your capacity as Director of Division for Public Administration and Development Management, UNDESA.

As both a committee of the IETF and an advisory body to ISOC, the IAB is responsible for architectural oversight of IETF activities, Internet Standards Process oversight and appeal, appointment of the RFC Editor, and management of IETF protocol parameter registries. The IAB also acts as an authority on Internet architecture and technical strategy, and as the primary representative of the IETF in liaison relationships with outside organizations. It is in the context of this liaison role that the IAB is responding to your request.

This document updates the information that was submitted to UNDESA in March 2008 on steps taken toward "enhanced cooperation" on public policy issues pertaining to the Internet. Changes include new statistics on the international participation in the work of the IETF, a reference to the ISOC Fellowship to the IETF, information about IETF meetings planned for 2010, and various updates to working group and liaison information.

Role of the IETF:

The primary function of the IETF is the development, standardization, evolution, and maintenance of the Internet Protocol (IP) and the suite of technologies and applications closely related to it. As described in [RFC 4677](#), The Tao of the IETF:

The Internet Engineering Task Force is a loosely self-organized group of people who contribute to the engineering and evolution of Internet technologies. It is the principal body engaged in the development of new Internet standard specifications.

The overall mission of the IETF is described further in [RFC 3935](#):

The goal of the IETF is to make the Internet work better.

The mission of the IETF is to produce high quality, relevant technical and engineering documents that influence the way people design, use, and manage the Internet in such a way as to make the Internet work better. These documents include protocol standards, best current practices, and informational documents of various kinds.

Official documents of the IETF are published as Request For Comments (RFCs), an archival series (ISSN 2070-1721) comprising the principal contribution of the IETF community to the development of the Internet. Notable protocols specified in RFCs include the Internet Protocol versions 4 (IPv4) and 6 (IPv6), Transmission Control Protocol (TCP), Domain Name System (DNS), Simple Mail Transport Protocol (SMTP), Hypertext Transfer Protocol (HTTP), Multiprotocol Label Switching (MPLS), Border Gateway Protocol (BGP), and Session Initiation Protocol (SIP).

The IETF conducts its mission with a clear focus on technology. Given this focus, IETF participants tend to be engineers, protocol designers, academics, and network operators. To the extent possible protocols are designed to be policy independent, which in turn allows for their broadest application. In the uncommon case where the widespread use of an IETF protocol causes it to become overly

encumbered with policy considerations, the IETF may provide guidance as to the intended and appropriate use of its technology in the context of the global Internet. For the most part, however, the IETF strives to remain clear of policy-making, instead leaving such work to organizations with particular expertise in that area.

The IETF is an Open, Global Organization:

The IETF has a core commitment to open processes, and considers wide participation a critical component of its success and the success of the Internet. This philosophy is evident throughout IETF activities, and is captured in the IETF mission statement as a 'cardinal principle':

Open process - any interested person can participate in the work, know what is being decided, and make his or her voice heard on the issue. Part of this principle is our commitment to making our documents, our WG mailing lists, our attendance lists, and our meeting minutes publicly available on the Internet.

There is no formal IETF membership; anyone with an interest in the technology is welcome to participate. There is also a notable absence of formal voting. Decisions are made based on technical merit and rough consensus. Participants are encouraged to contribute as individuals rather than as representatives of a particular organization, and significant effort is made to ensure that access is independent of nationality, organizational affiliation, or geographic location. For instance, much of the day-to-day work of the IETF takes place on working group mailing lists, which are open to participation by anyone with an email account.

Although early work on IP was rooted in the United States, the IETF today is an international organization. At present there are RFC authors from 48 different countries, with a visible trend toward increased global participation (see Figure 1).

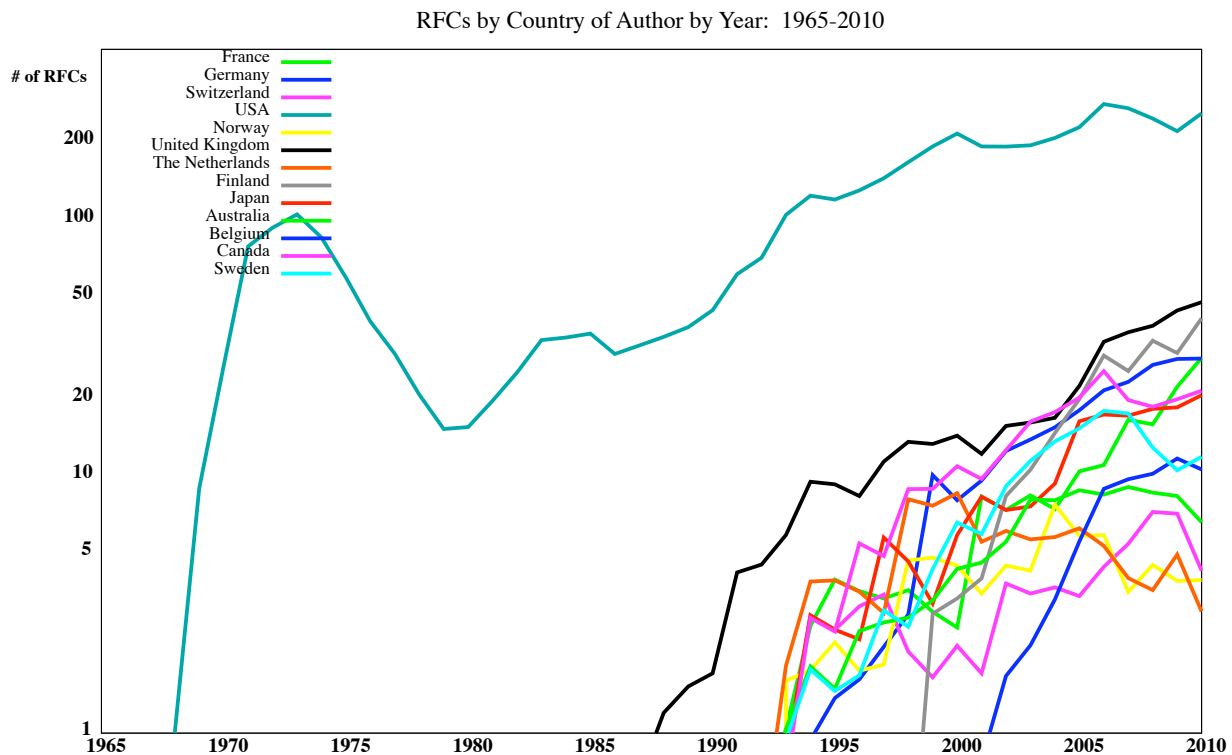


Figure 1 - RFC Authors by Country. Additional data at <http://www.arkko.com/tools/docstats.html>

While much of the IETF's work takes place over mailing lists, face-to-face meetings are also important. The meetings, held three times a year, are week-long gatherings of IETF contributors whose primary goal is to reinvigorate the WGs to get their tasks done, and whose secondary goal is to promote a fair amount of mixing between the WGs and the areas. Also, the in-person experience promotes a stronger understanding of the standardization process, encourages active involvement in IETF work, and facilitates personal networking with others that have similar technical interests.

To enable broad attendance, the IETF selects meeting venues with consideration for a distribution of locations that reflects the locations of active participants. The IETF has three meetings scheduled for 2010:

Spring 2010 - 77th IETF	Summer 2010 - 78th IETF	Fall 2010 - 79th IETF
March 21-26, 2010	July 25-30, 2010	November 7-12, 2010
Anaheim, CA, USA	Maastricht, Netherlands	Beijing, China

The following chart shows participation by nationality for the immediately-previous meeting in Hiroshima, JP (November 2009):

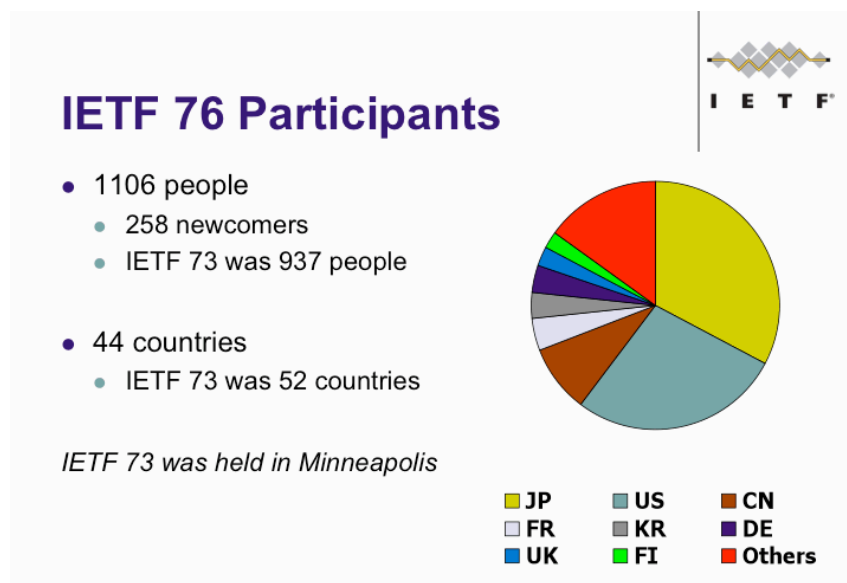


Figure 2: Attendance by Nationality, IETF 76, Hiroshima, JP

Since 2006 the IETF Fellowship Program, supported by ISOC, has promoted and facilitated participation in IETF meetings by technologists from developing countries. Information on the Fellowship Program can be found on the ISOC website (see references list). Each IETF meeting also includes newcomer training, mentoring, and meet-and-greet events to help first time attendees quickly acclimate to IETF processes and culture.

Although physical attendance at meetings is encouraged, remote participation is also possible via voice conference, video stream, and text-based chat. Furthermore, consensus calls are conducted via working group mailing lists so as to ensure that input is not limited to those available during the meeting time. All meeting proceedings are made freely available via the IETF website, as are working group mailing list discussions.

Internal Organization of the IETF:

The IETF has several sub-components and affiliated bodies that collectively carry out the IETF mission. These are described in [RFC 2028](#), and include the IETF Working Groups, the IETF Secretariat, the RFC Editor, the Internet Society (ISOC), the Internet Engineering Steering Group (IESG), the Internet Architecture Board (IAB), the Internet Assigned Numbers Authority (IANA), and the Internet Research Task Force (IRTF). Notable in the area of governance is the special relationship the IETF has with IANA, who carries out the day-to-day administration of the Internet protocol parameter registries on the IETF's behalf, through an agreement ([RFC 2860](#)) with the Internet Corporation for Assigned Numbers and Names (ICANN). Proper operation of IETF protocols in the global Internet relies on the consistent, coordinated use of these parameter values.

As in protocol development, the IETF also makes use of open, documented processes for selecting candidates for leadership roles. [RFC 3777](#) describes the process for selecting members of the IESG and IAB, [RFC 4333](#) describes IAOC selection, and [RFC 3677](#) describes appointment procedures for members of the ISOC Board of Trustees who are selected by the IETF community. New IETF working groups (WGs) are established according to the steps in [RFC 2418](#). There are currently over 120 WGs covering a wide range of protocols in the following areas: Applications, Internet, Operations and Management, Real-time Applications and Infrastructure, Routing, Security, and Transport. A full list can be found here: <http://www.ietf.org/dyn/wg/charter.html>

Relations with Outside Organizations:

The IETF maintains formal liaison relationships with several other organizations involved in the development of Internet related technologies. Liaison management is the responsibility of the IAB, and is described in [RFC 4052](#):

The IETF, as an organization, has the need to engage in direct communication or joint endeavors with various other formal organizations. For example, the IETF is one of several Standards Development Organizations, or SDOs, and all SDOs including the IETF find it increasingly necessary to communicate and coordinate their activities involving Internet-related technologies. This is useful in order to avoid overlap in work efforts and to manage interactions between their groups.

Communication between organizations is often informal, and principally involves coordination on technical areas of mutual interest. Liaison relationships are especially helpful in determining which organization should act as the home for new work. The IETF's mission statement, [RFC 3935](#), provides guidance here as related to the cardinal principles of 'technical competence' and 'protocol ownership':

Technical competence - the issues on which the IETF produces its documents are issues where the IETF has the competence needed to speak to them, and that the IETF is willing to listen to technically competent input from any source. Technical competence also means that we expect IETF output to be designed to sound network engineering principles - this is also often referred to as "engineering quality".

Protocol ownership - when the IETF takes ownership of a protocol or function, it accepts the responsibility for all aspects of the protocol, even though some aspects may rarely or never be seen on the Internet. Conversely, when the IETF is not responsible for a

protocol or function, it does not attempt to exert control over it, even though it may at times touch or affect the Internet.

At present there are 25 active liaisons between the IETF and external organizations, as well as several internal liaisons between the IAB and the IESG, ISOC, RFC Editor, and IRTF. A current list of liaisons, as well as recent liaison statements, can be found on the IETF website.

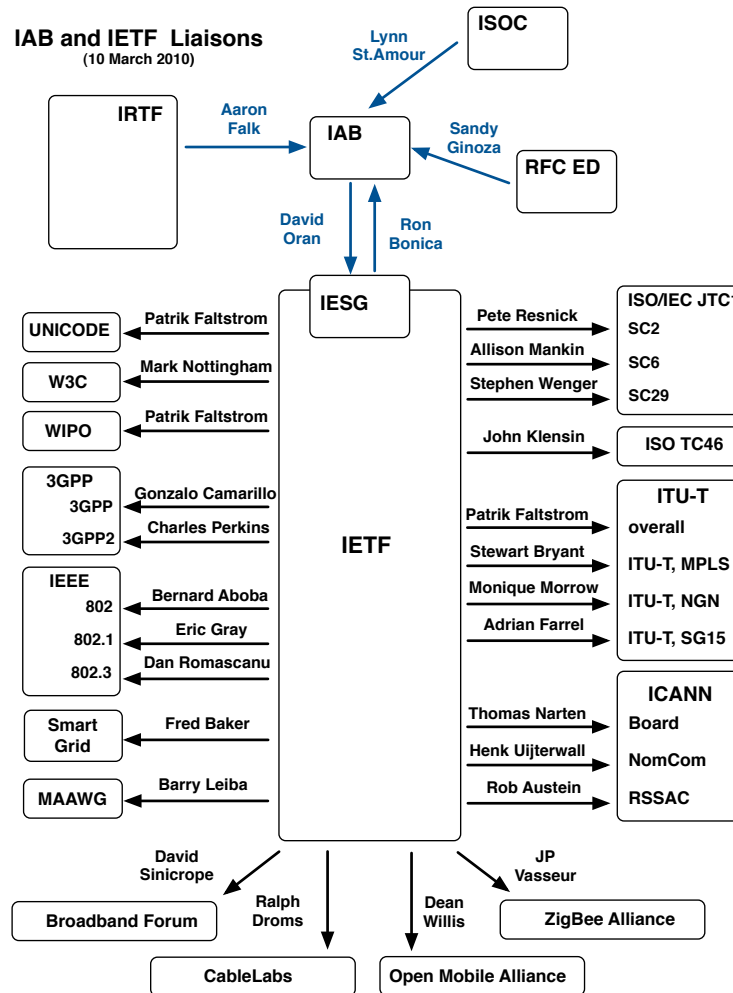


Figure 3 - Example IAB and IETF Liaisons (as of March 2010)

On rare occasions a liaison relation may be leveraged to coordinate on issues of organizational policy. However, issues of public policy and governance as they relate to IETF protocols are principally handled for the IETF by ISOC, occasionally with technical input from the IAB.

In summary, the IETF is strongly committed to the open development and evolution of IP and related technologies, and to the ISOC vision of an Internet that benefits all people throughout the world. A reference list follows with links to additional information.

Sincerely,

Olaf Kolkman
Chair, Internet Architecture Board

IETF References

IETF main website:

<http://www.ietf.org>

IAB main website:

<http://www.iab.org>

RFC Editor:

<http://www.rfc-editor.org/>

The IETF Process: an Informal Guide:

<http://www.ietf.org/about/process-docs.html>

Active IETF Working Groups:

<http://www.ietf.org/dyn/wg/charter.html>

IETF Meeting Proceedings:

<http://www.ietf.org/meeting/proceedings.html>

Liaison Information:

<http://www.ietf.org/liaison/>

ISOC Fellowship to the IETF

<http://www.isoc.org/educpillar/fellowship/index.php>

RFC 2026 - The Internet Standards Process -- Revision 3

<http://tools.ietf.org/html/rfc2026>

RFC 2028 - The Organizations Involved in the IETF Standards Process

<http://tools.ietf.org/html/rfc2028>

RFC 2418 - IETF Working Group Guidelines and Procedures

<http://tools.ietf.org/html/rfc2418>

RFC 3677 - IETF ISOC Board of Trustee Appointment Procedures

<http://tools.ietf.org/html/rfc3677>

RFC 3777 - IAB and IESG Selection, Confirmation, and Recall Process: Operation of the Nominating and Recall Committees

<http://tools.ietf.org/html/rfc3777>

RFC 3935 - A Mission Statement for the IETF

<http://tools.ietf.org/html/rfc3935>

RFC 4052 - IAB Processes for Management of IETF Liaison Relationships

<http://tools.ietf.org/html/rfc4052>

RFC 4333 - The IETF Administrative Oversight Committee (IAOC) Member Selection Guidelines and Process

<http://tools.ietf.org/html/rfc4333>

RFC 4677 - The TAO of the IETF

<http://tools.ietf.org/html/rfc4677>

IETF Document Statistics:

<http://www.arkko.com/tools/docstats.html>